

# 48kW<sup>1</sup> Standby Generator



## Briggs & Stratton<sup>®</sup> The Smart Choice

Durable back-up power for businesses and luxury homes. Guard against losses due to power outages with a Briggs & Stratton Standby Generator.



Parts • Labor • Travel  
Limited Warranty<sup>3</sup>



### Corrosion Resistant Aluminum Enclosure

- Durable enclosures are built to last, protecting against extreme weather conditions and corrosion

### Easy to Service

- Convenient internal swing open doors allow easy access to the engine; no more taking apart the bolted finger guards, saving time and the hassle of disassembly

### Block Heater

- Ships with pre-installed block heater ensuring smooth start-ups any time an outage occurs when the temperatures dip below freezing

### Quality Clean Power

- Ensures that electronics are safely powered

### Durable Industrial Engine

- Found in industrial applications, the premium industrial 1,800 RPM engine provides strong, reliable power without giving up quiet operation or durability

### NFPA-110

- May be used in NFPA-110, Level 2, applications with appropriate accessories<sup>4</sup>

### Generator Set Rating

Model	Voltage	Power Factor	Phase <sup>2</sup>	Hz	Circuit Breaker Amps	Liquid Propane Vapor		Natural Gas		Controller	Limited Warranty <sup>3</sup>
						kW <sup>1</sup> / kVA	Amps	kW <sup>1</sup> / kVA	Amps		
076350	120 / 240	1.0	1	60	200	48 / 48	200	45 / 45	187	IntelliLite	5 Year
076150	120 / 240	1.0	1	60	200	48 / 48	200	45 / 45	187	Briggs & Stratton <sup>®</sup>	5 Year
076151	120 / 208	0.8	3	60	175	48 / 60	166	45 / 56.3	156	IntelliNano	5 Year
076153	120 / 240	0.8	3	60	150	48 / 60	144	45 / 56.3	135	IntelliNano	5 Year
076155	277 / 480	0.8	3	60	80	48 / 60	72	45 / 56.3	67	IntelliNano	5 Year
076351	120 / 208	0.8	3	60	175	48 / 60	166	45 / 56.3	156	IntelliLite	5 Year
076353	120 / 240	0.8	3	60	150	48 / 60	144	45 / 56.3	135	IntelliLite	5 Year
076355	277 / 480	0.8	3	60	80	48 / 60	72	45 / 56.3	67	IntelliLite	5 Year

<sup>1</sup> This generator is rated in accordance with UL (Underwriters Laboratories) 2200 (stationary engine generator assemblies) and CSA (Canadian Standards Association) standard C22.2 No. 100-14 (motors and generators).

<sup>2</sup> Single phase units are rated at 1.0 power factor and three phase units are rated 0.8 power factor.

<sup>3</sup> See operator's manual or BRIGGSandSTRATTON.com for complete warranty details.

<sup>4</sup> This unit must be installed, by licensed contractor, in accordance with requirements of NFPA-110 codes and standards as defined in NEC Article 701, in addition to local AHJ requirements. This generator set is not authorized by Briggs & Stratton for use in NFPA-110, Level 1 applications.



**Engine Specifications**

Engine	
<b>Manufacturer</b>	PSI
<b>Type</b>	4.3L Industrial Powertrain 4 Cycle, Naturally Aspirated
<b>Speed (RPM)</b>	1800
<b>Cylinder Arrangement</b>	V6
<b>Displacement (L)</b>	4.3
<b>Bore &amp; Stroke (in / mm)</b>	4 x 3.48 / 101.6 x 88
<b>Compression Ratio</b>	9.8:1
<b>Governor Type</b>	Electronic
<b>Frequency Regulation Steady State</b>	+/- 0.5%
<b>Frequency Regulation No-load to Full-load</b>	Isochronous
<b>Air Filter Type</b>	Dry
<b>Limited Warranty<sup>3</sup></b>	3 Years Parts, Labor and Travel
Lubrication System	
<b>Type</b>	Full Pressure
<b>Oil Capacity (qt / L)</b>	4.5 / 4.3
<b>Oil Filter (Quantity / Type)</b>	1 / Spin-On
Cooling System	
<b>Heat Rejected to Cooling Water at Rated Load (BTU/min / kcal/sec)</b>	2300 / 9.7
<b>Water Pump Type</b>	Centrifugal
Sound Rating at 7 Meters, Lowest Side	
<b>No Load</b>	67 dB(A) <sup>2</sup>
Air Induction System	
<b>Combustion Air (cfm / m<sup>3</sup>/min)</b>	112 / 3.2

Electrical System	
<b>Ignition System</b>	HVS Distributor
<b>Battery Quantity</b>	2
<b>Battery Voltage (VDC)</b>	12
<b>Battery CCA (A)</b>	775
Battery Charging Alternator	
<b>Ground (Negative/Positive)</b>	Negative
<b>Voltage (VDC)</b>	12
<b>Amperage (A)</b>	70
<b>Starter Motor Voltage (VDC)</b>	12

Exhaust System	
<b>Exhaust Manifold Type</b>	Dry
<b>Exhaust Flow at Rated Load (cfm / m<sup>3</sup>/min)</b>	362 / 10.3
<b>Exhaust Temperature at Rated Load (°F / °C)</b>	1350 / 732
<b>Maximum Allowable Back Pressure (in Hg / kPa)</b>	3 / 10.2

Fuel System	
<b>Fuel Type</b>	LPV or NG
<b>Fuel Supply Line Inlet</b>	1 NPT
<b>Recommended Fuel, Lower Heating Value Minimum (BTU/ft<sup>3</sup> / MJ/m<sup>3</sup>)</b>	NG - 904 / 34.3 LP - 2338 / 87.1
<b>Fuel Supply Pressure (in H<sub>2</sub>O / mbar)</b>	7-11 / 17-28

Fuel Consumption <sup>4</sup>			
	Full Load	1/2 Load	No Load
<b>BTU/hr</b>	NG - 471,000 LP - 505,670	NG - 298,000 LP - 312,177	NG - 152,000 LP - 135,654
<b>ft<sup>3</sup>/hr</b>	NG - 471 LP - 202	NG - 298 LP - 125	NG - 152 LP - 54
<b>m<sup>3</sup>/hr</b>	NG - 13.3 LP - 5.7	NG - 8.4 LP - 3.5	NG - 4.3 LP - 1.5

Engine Output Deratings	
<b>Rated Temperature (°F / °C)</b>	77 / 25
<b>Rated Altitude</b>	1200 ft (366 m) Above Sea Level
<b>Temperature Derate</b>	1.5% for Each 10°F (5.6°C) Above Rated Temperature
<b>Altitude Derate</b>	2.5% for Each 1000 ft (305 m) Above Rated Altitude

<sup>1</sup> This generator is rated in accordance with UL (Underwriters Laboratories) 2200 (stationary engine generator assemblies) and CSA (Canadian Standards Association) standard C22.2 No. 100-14 (motors and generators).

<sup>2</sup> Lowest measurement of 12 microphones around generator. Sound level measurement at other locations around generator may be different depending upon installation configuration.

<sup>3</sup> See operator's manual or BRIGGSandSTRATTON.com for complete warranty details.

<sup>4</sup> Fuel consumption rates are estimated based on normal operating conditions at ½ load. Generator operation may be greatly affected by elevation and the cycling operation of multiple electrical appliances - fuel flow rates may vary depending on these factors.



**Additional Standard Features**

**Weight & Dimensions**

<b>Assembled Weight (lbs / kg)</b>	1634 / 741
<b>Overall Dimensions (in / mm)</b>	91 x 39.4 x 41 / 2311 x 1001 x 1041
<b>Packaged Weight (lbs / kg)</b>	2033 / 922
<b>Packaged Dimensions (in / mm)</b>	103.9 x 48 x 50.4 / 2639 x 1219 x 1280

**Available Accessories**

<b>6343</b>	Battery Warmer
<b>6517</b>	InfoHub™
<b>6144</b>	Remote LED Kit
<b>6471</b>	Retrofit Module
<b>6491</b>	Local Emergency Stop Switch

**Standard Controllers**



**Briggs & Stratton® AMF Controller for Single-Phase**

- User-friendly control panel for troubleshooting
- Conveniently monitors diagnostic conditions, displays system fault codes and sets weekly exercise cycle
- Easy-to-read alpha-numeric scrolling display
- Single-Phase generator application only
- UL recognized

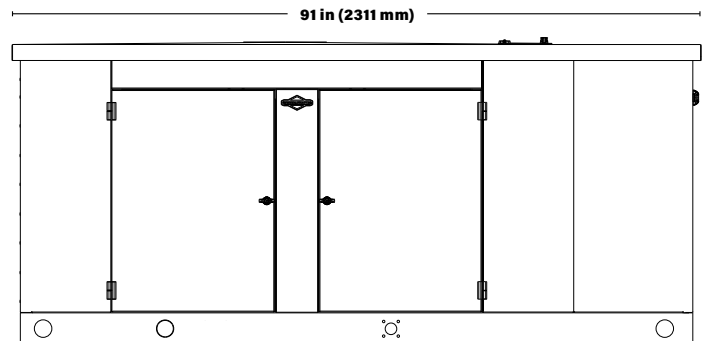
**Other Features**

- Battery rack and cables
- Electronic, isochronous governor
- Gas fuel system (includes fuel mixer, electronic secondary gas regulator, gas solenoid valve, and flexible fuel line between the engine and theskid-mounted fuel system components)
- Integral vibration isolation
- Oil drain extension
- Operation and installation literature<sup>2</sup>



**InteliNano (NT) Controller for 3-Phase**

- 3-Phase generator application only
- Large graphical display
- 3-Phase voltage sensing
- "Zero" power consumption mode
- Easy installation and user-friendly operation
- 10 event history log
- USB communication interface
- Six binary inputs, three analog inputs
- Two low-current and two high-current binary outputs
- UL recognized

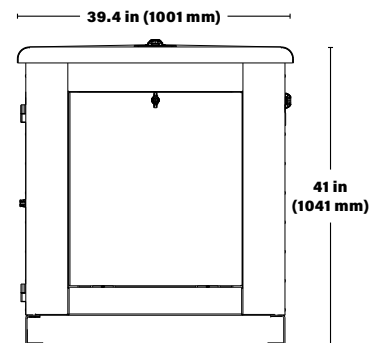


**Optional Controller**



**InteliLite (NT) Controller**

- 3-Phase and Single-Phase generator applications
- 3-Phase voltage sensing
- Current sensing
- Seven binary inputs, three analog inputs
- Seven binary outputs
- Additional input/output accessories available
- Various communication modules available
- Remote control and monitoring capabilities
- UL recognized



<sup>1</sup>This generator is rated in accordance with UL (Underwriters Laboratories) 2200 (stationary engine generator assemblies) and CSA (Canadian Standards Association) standard C22.2 No. 100-14 (motor and generators).

<sup>2</sup> The installation manual contains specific instructions related to generator placement in addition to NFPA 37, including the requirement that carbon monoxide detectors be installed and maintained in your home.



### Alternator Specifications

	1 Phase	1 Phase	3 Phase	3 Phase	3 Phase	3 Phase	3 Phase	3 Phase
<b>Model</b>	076350	076150	076151	076153	076155	076351	076353	076355
<b>Alternator Model</b>	50BSPP-0	50BSPP-0	50TBSPP-2	50TBSPP-2	50TBSPP-2	50TBSPP-2	50TBSPP-2	50TBSPP-2
<b>Manufacturer</b>	Coliseum	Coliseum	Coliseum	Coliseum	Coliseum	Coliseum	Coliseum	Coliseum
<b>Type</b>	Brushless, 4-Lead	Brushless, 4-Lead	Brushless, 12-Lead	Brushless, 12-Lead	Brushless, 12-Lead	Brushless, 12-Lead	Brushless, 12-Lead	Brushless, 12-Lead
<b>Frequency (Hz)</b>	60	60	60	60	60	60	60	60
<b>Phase</b>	1	1	3	3	3	3	3	3
<b>Alternator Configuration</b>	-	-	Wye	Delta	Wye	Wye	Delta	Wye
<b>Exciter Type</b>	Self-Excited	Self-Excited	Self-Excited	Self-Excited	Self-Excited	Self-Excited	Self-Excited	Self-Excited
<b>Number of Poles</b>	4	4	4	4	4	4	4	4
<b>Voltage Regulator</b>	Analog, 1-Phase Sensing	Analog, 1-Phase Sensing	Analog, 1-Phase Sensing	Analog, 1-Phase Sensing	Analog, 1-Phase Sensing	Analog, 1-Phase Sensing	Analog, 1-Phase Sensing	Analog, 1-Phase Sensing
<b>Insulation Rating</b>	Class H	Class H	Class H	Class H	Class H	Class H	Class H	Class H
<b>Designed Temperature Rise Limit</b>	125°C	125°C	125°C	125°C	125°C	125°C	125°C	125°C
<b>Bearing (Quantity / Type)</b>	1 / Sealed	1 / Sealed	1 / Sealed	1 / Sealed	1 / Sealed	1 / Sealed	1 / Sealed	1 / Sealed
<b>Coupling</b>	Flexible Disk	Flexible Disk	Flexible Disk	Flexible Disk	Flexible Disk	Flexible Disk	Flexible Disk	Flexible Disk
<b>Amortisseur Windings</b>	Full	Full	Full	Full	Full	Full	Full	Full
<b>Voltage Regulation, NL to FL</b>	+/- 1.0%	+/- 1.0%	+/- 1.0%	+/- 1.0%	+/- 1.0%	+/- 1.0%	+/- 1.0%	+/- 1.0%
<b>One Step Load Acceptance</b>	100% of Rating	100% of Rating	100% of Rating	100% of Rating	100% of Rating	100% of Rating	100% of Rating	100% of Rating
<b>Total Harmonic Distortion (THD), NL to FL</b>	< 5.0	< 5.0	< 5.0	< 5.0	< 5.0	< 5.0	< 5.0	< 5.0

- Windings are insulated using the latest vacuum pressure impregnation technologies
- Superior voltage waveform from a two-thirds pitch stator and skewed main stator
- Manufactured according to the following standards: UL1004, NEMA MG1, IEC 60034-1

## Support every step of the way

Need help? Visit [BRIGGSandSTRATTON.com](http://BRIGGSandSTRATTON.com)

Complete the web form and a local dealer will contact you to answer questions on our generators, transfer switches and accessories.

<sup>1</sup> This generator is rated in accordance with UL (Underwriters Laboratories) 2200 (stationary engine generator assemblies) and CSA (Canadian Standards Association) standard C22.2 No. 100-14 (motor and generators).

Briggs & Stratton has a policy of continuous product improvement and reserves the right to modify its specifications at any time and without prior notice.

This standby is Not for Prime Power applications.

BS1161 - 8/18

**BRIGGS & STRATTON CORPORATION**  
POST OFFICE BOX 702  
MILWAUKEE, WI 53201 USA

Copyright ©2018. All rights reserved.



**YOU. POWERED.**