

35kW¹ Standby Generator



Briggs & Stratton® The Smart Choice

Durable back-up power for businesses and luxury homes. Guard against losses due to power outages with a Briggs & Stratton Standby Generator.



Corrosion Resistant Aluminum Enclosure

- Durable enclosures are built to last, protecting against extreme weather conditions and corrosion

Easy to Service

- Convenient internal swing open doors allows easy access to the engine; no more taking apart the bolted finger guards, saving time and the hassle of disassembly

Quality Clean Power

- Ensures that electronics are safely powered

Block Heater

- Ships with a pre-installed block heater ensuring smooth start-ups any time an outage occurs when the temperatures dip below freezing

Durable Industrial Engine

- Found in industrial applications, the premium industrial 1,800 RPM engine provides strong, reliable power without giving up quiet operation or durability

NFPA-110

- May be used in NFPA-110, Level 2, applications with appropriate accessories⁴

Generator Set Rating

Model	Voltage	Power Factor	Phase ²	Hz	Circuit Breaker Amps	Liquid Propane Vapor		Natural Gas		Controller	Limited Warranty ³
						kW' / kVA	Amps	kW' / kVA	Amps		
076330	120 / 240	1.0	1	60	150	35 / 35	145	35 / 35	145	InteliLite	5 Year
076130	120 / 240	1.0	1	60	150	35 / 35	145	35 / 35	145	Briggs & Stratton®	5 Year
076131	120 / 208	0.8	3	60	125	35 / 44	121	35 / 44	121	InteliNano	5 Year
076133	120 / 240	0.8	3	60	110	35 / 44	105	35 / 44	105	InteliNano	5 Year
076135	277 / 480	0.8	3	60	60	35 / 44	52	35 / 44	52	InteliNano	5 Year
076331	120 / 208	0.8	3	60	125	35 / 44	121	35 / 44	121	InteliLite	5 Year
076333	120 / 240	0.8	3	60	110	35 / 44	105	35 / 44	105	InteliLite	5 Year
076335	277 / 480	0.8	3	60	60	35 / 44	52	35 / 44	52	InteliLite	5 Year

¹ This generator is rated in accordance with UL (Underwriters Laboratories) 2200 (stationary engine generator assemblies) and CSA (Canadian Standards Association) standard C22.2 No. 100-14 (motors and generators).

² Single phase units are rated at 1.0 power factor and three phase units are rated 0.8 power factor.

³ See operator's manual or BRIGGSandSTRATTON.com for complete warranty details.

⁴ This unit must be installed, by licensed contractor, in accordance with requirements of NFPA-110 codes and standards as defined in NEC Article 701, in addition to local AHJ requirements. This generator set is not authorized by Briggs & Stratton for use in NFPA-110, Level 1 applications.



Engine Specifications

Engine	
Manufacturer	PSI
Type	4.3L Industrial Powertrain 4 Cycle, Naturally Aspirated
Speed (RPM)	1800
Cylinder Arrangement	V6
Displacement (L)	4.3
Bore & Stroke (in / mm)	4 x 3.48 / 101.6 x 88
Compression Ratio	9.8:1
Governor Type	Electronic
Frequency Regulation Steady State	+/- 0.5%
Frequency Regulation No-load to Full-load	Isochronous
Air Filter Type	Dry
Limited Warranty³	3 Years Parts, Labor and Travel
Lubrication System	
Type	Full Pressure
Oil Capacity (qt / L)	4.5 / 4.3
Oil Filter (Quantity / Type)	1 / Spin-On
Cooling System	
Heat Rejected to Cooling Water at Rated Load (BTU/min / kcal/sec)	2300 / 9.7
Water Pump Type	Centrifugal
Sound Rating at 7 Meters, Lowest Side	
No Load	67 dB(A) ²
Air Induction System	
Combustion Air (cfm / m³/min)	112 / 3.2

Electrical System			
Ignition System	HVS Distributor		
Battery Quantity	1		
Battery Voltage (VDC)	12		
Battery CCA (A)	775		
Battery Charging Alternator			
Ground (Negative/Positive)	Negative		
Voltage (VDC)	12		
Amperage (A)	70		
Starter Motor Voltage (VDC)	12		
Exhaust System			
Exhaust Manifold Type	Dry		
Exhaust Flow at Rated Load (cfm / m³/min)	362 / 10.3		
Exhaust Temperature at Rated Load (°F / °C)	1350 / 732		
Maximum Allowable Back Pressure (in Hg / kPa)	3 / 10.2		
Fuel System			
Fuel Type	LPV or NG		
Fuel Supply Line Inlet	1 NPT		
Recommended Fuel, Lower Heating Value Minimum (BTU/ft³ / MJ/m³)	NG - 904 / 34.3 LPV - 2338 / 87.1		
Fuel Supply Pressure (in H₂O / mbar)	7-11 / 17-28		
Fuel Consumption ⁴			
	Full Load	1/2 Load	No Load
BTU/hr	NG - 393,844 LP - 399,116	NG - 253,217 LP - 257,844	NG - 144,718 LP - 136,087
ft³/hr	NG - 394 LP - 160	NG - 253 LP - 103	NG - 145 LP - 54
m³/hr	NG - 11.2 LP - 4.5	NG - 7.2 LP - 2.9	NG - 4.1 LP - 1.5

Engine Output Deratings	
Rated Temperature (°F / °C)	77 / 25
Rated Altitude	1200 ft (366 m) Above Sea Level
Temperature Derate	1.5% for Each 10°F (5.6°C) Above Rated Temperature
Altitude Derate	2.5% for Each 1000 ft (305 m) Above Rated Altitude

¹ This generator is rated in accordance with UL (Underwriters Laboratories) 2200 (stationary engine generator assemblies) and CSA (Canadian Standards Association) standard C22.2 No. 100-14 (motors and generators).
² Lowest measurement of 12 microphones around generator. Sound level measurement at other locations around generator may be different depending upon installation configuration.
³ See operator's manual or BRIGGSandSTRATTON.com for complete warranty details.
⁴ Fuel consumption rates are estimated based on normal operating conditions at ½ load. Generator operation may be greatly affected by elevation and the cycling operation of multiple electrical appliances – fuel flow rates may vary depending on these factors.



Additional Standard Features

Weight & Dimensions

Assembled Weight (lbs / kg)	1634 / 741
Overall Dimensions (in / mm)	91 x 39.4 x 41 / 2311 x 1001 x 1041
Packaged Weight (lbs / kg)	2033 / 922
Packaged Dimensions (in / mm)	104 x 48 x 50.4 / 2639 x 1219 x 1280

Available Accessories

6343	Battery Warmer
6517	InfoHub™
6144	Remote LED Kit
6471	Retrofit Module
6491	Local Emergency Stop Switch

Standard Controllers



Briggs & Stratton® AMF Controller for Single-Phase

- User-friendly control panel for troubleshooting
- Conveniently monitors diagnostic conditions, displays system fault codes and sets weekly exercise cycle
- Easy-to-read alpha-numeric scrolling display
- UL recognized



InteliNano (NT) Controller for 3-Phase

- 3-Phase generator application only
- Large graphical display
- 3-Phase voltage sensing
- "Zero" power consumption mode
- Easy installation and user-friendly operation
- 10 event history log
- USB communication interface
- Six binary inputs, three analog inputs
- Two low-current and two high-current binary outputs
- UL recognized

Optional Controller

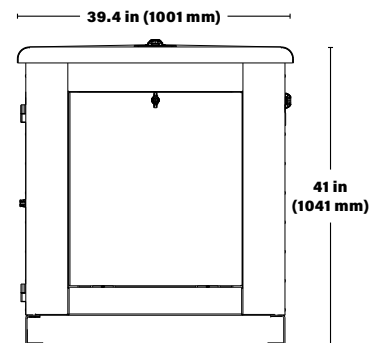
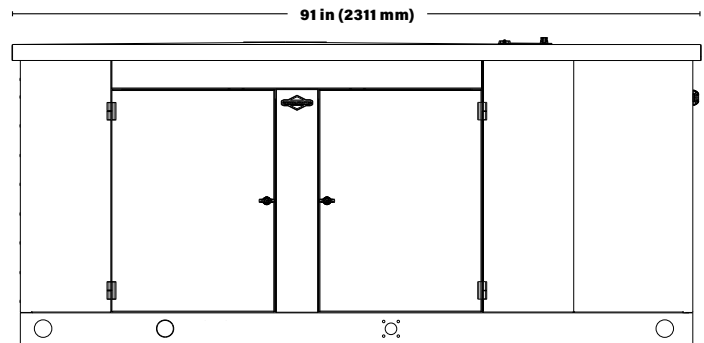


InteliLite (NT) Controller

- 3-Phase and Single-Phase generator applications
- 3-Phase voltage sensing
- Current sensing
- Seven binary inputs, three analog inputs
- Seven binary outputs
- Additional input/output accessories available
- Various communication modules available
- Remote control and monitoring capabilities
- UL recognized

Other Features

- Battery rack and cables
- Electronic, isochronous governor
- Gas fuel system (includes fuel mixer, electronic secondary gas regulator, gas solenoid valve, and flexible fuel line between the engine and the skid-mounted fuel system components)
- Integral vibration isolation
- Oil drain extension
- Operation and installation literature²



¹ This generator is rated in accordance with UL (Underwriters Laboratories) 2200 (stationary engine generator assemblies) and CSA (Canadian Standards Association) standard C22.2 No. 100-14 (motor and generators).

² The installation manual contains specific instructions related to generator placement in addition to NFPA 37, including the requirement that carbon monoxide detectors be installed and maintained in your home.



Alternator Specifications

	1 Phase	1 Phase	3 Phase	3 Phase	3 Phase	3 Phase	3 Phase	3 Phase
Model	076330	076130	076131	076133	076135	076331	076333	076335
Alternator Model	35BSPP-0	35BSPP-0	35TBSPP-2	35TBSPP-2	35TBSPP-2	35TBSPP-2	35TBSPP-2	35TBSPP-2
Manufacturer	Coliseum	Coliseum	Coliseum	Coliseum	Coliseum	Coliseum	Coliseum	Coliseum
Type	Brushless, 4-Lead	Brushless, 4-Lead	Brushless, 12-Lead	Brushless, 12-Lead	Brushless, 12-Lead	Brushless, 12-Lead	Brushless, 12-Lead	Brushless, 12-Lead
Frequency (Hz)	60	60	60	60	60	60	60	60
Phase	1	1	3	3	3	3	3	3
Alternator Configuration	-	-	Wye	Delta	Wye	Wye	Delta	Wye
Exciter Type	Self-Excited	Self-Excited	Self-Excited	Self-Excited	Self-Excited	Self-Excited	Self-Excited	Self-Excited
Number of Poles	4	4	4	4	4	4	4	4
Voltage Regulator	Analog, 1-Phase Sensing	Analog, 1-Phase Sensing	Analog, 1-Phase Sensing	Analog, 1-Phase Sensing	Analog, 1-Phase Sensing	Analog, 1-Phase Sensing	Analog, 1-Phase Sensing	Analog, 1-Phase Sensing
Insulation Rating	Class H	Class H	Class H	Class H	Class H	Class H	Class H	Class H
Designed Temperature Rise Limit	125°C	125°C	125°C	125°C	125°C	125°C	125°C	125°C
Bearing (Quantity / Type)	1 / Sealed	1 / Sealed	1 / Sealed	1 / Sealed	1 / Sealed	1 / Sealed	1 / Sealed	1 / Sealed
Coupling	Flexible Disk	Flexible Disk	Flexible Disk	Flexible Disk	Flexible Disk	Flexible Disk	Flexible Disk	Flexible Disk
Amortisseur Windings	Full	Full	Full	Full	Full	Full	Full	Full
Voltage Regulation, NL to FL	+/- 1.0%	+/- 1.0%	+/- 1.0%	+/- 1.0%	+/- 1.0%	+/- 1.0%	+/- 1.0%	+/- 1.0%
One Step Load Acceptance	100% of Rating	100% of Rating	100% of Rating	100% of Rating	100% of Rating	100% of Rating	100% of Rating	100% of Rating
Total Harmonic Distortion (THD), NL to FL	< 5.0	< 5.0	< 5.0	< 5.0	< 5.0	< 5.0	< 5.0	< 5.0

- Windings are insulated using the latest vacuum pressure impregnation technologies
- Superior voltage waveform from a two-thirds pitch stator and skewed main stator
- Manufactured according to the following standards: UL1004, NEMA MG1, IEC 60034-1

Support every step of the way

Need help? Visit BRIGGSandSTRATTON.com

Complete the web form and a local dealer will contact you to answer questions on our generators, transfer switches and accessories.

¹ This generator is rated in accordance with UL (Underwriters Laboratories) 2200 (stationary engine generator assemblies) and CSA (Canadian Standards Association) standard C22.2 No. 100-14 (motor and generators).

Briggs & Stratton has a policy of continuous product improvement and reserves the right to modify its specifications at any time and without prior notice.

This standby is Not for Prime Power applications.

BS1158 - 8/18

BRIGGS & STRATTON CORPORATION
POST OFFICE BOX 702
MILWAUKEE, WI 53201 USA

Copyright ©2018. All rights reserved.



YOU.POWERED.